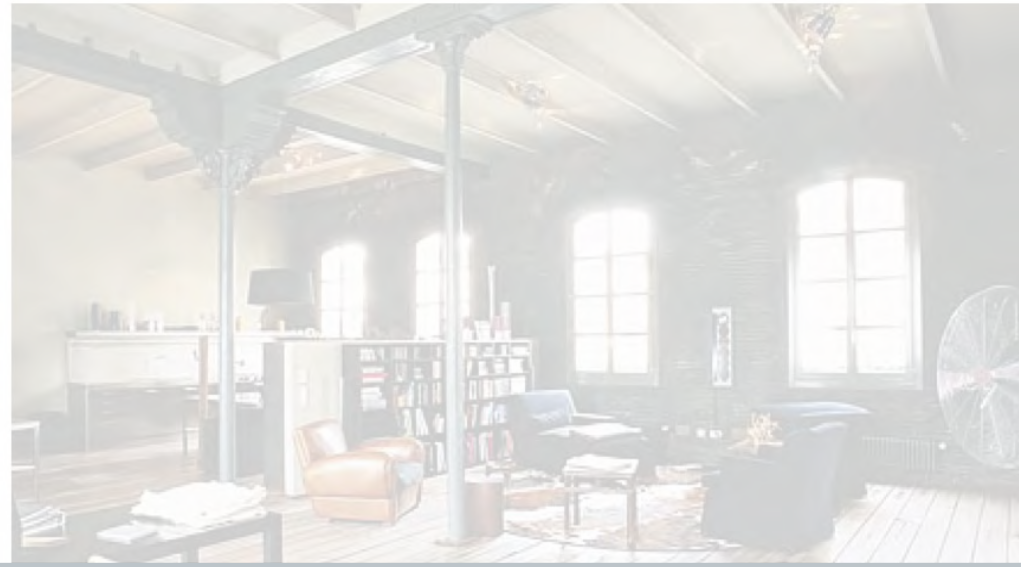




Shiziwan Lu Furniture

Concept Design 概念设计





参考

Shiziwan Lu Furniture
2011.9.20



ARMCHAIR 扶手椅

solid elm
top-grain leather, woven fabric
PU resin, natural hardwax oil

榆木
头层牛皮, 梭织布
聚氨酯涂料(PU), 天然植物木蜡油

宽800 深735 高690

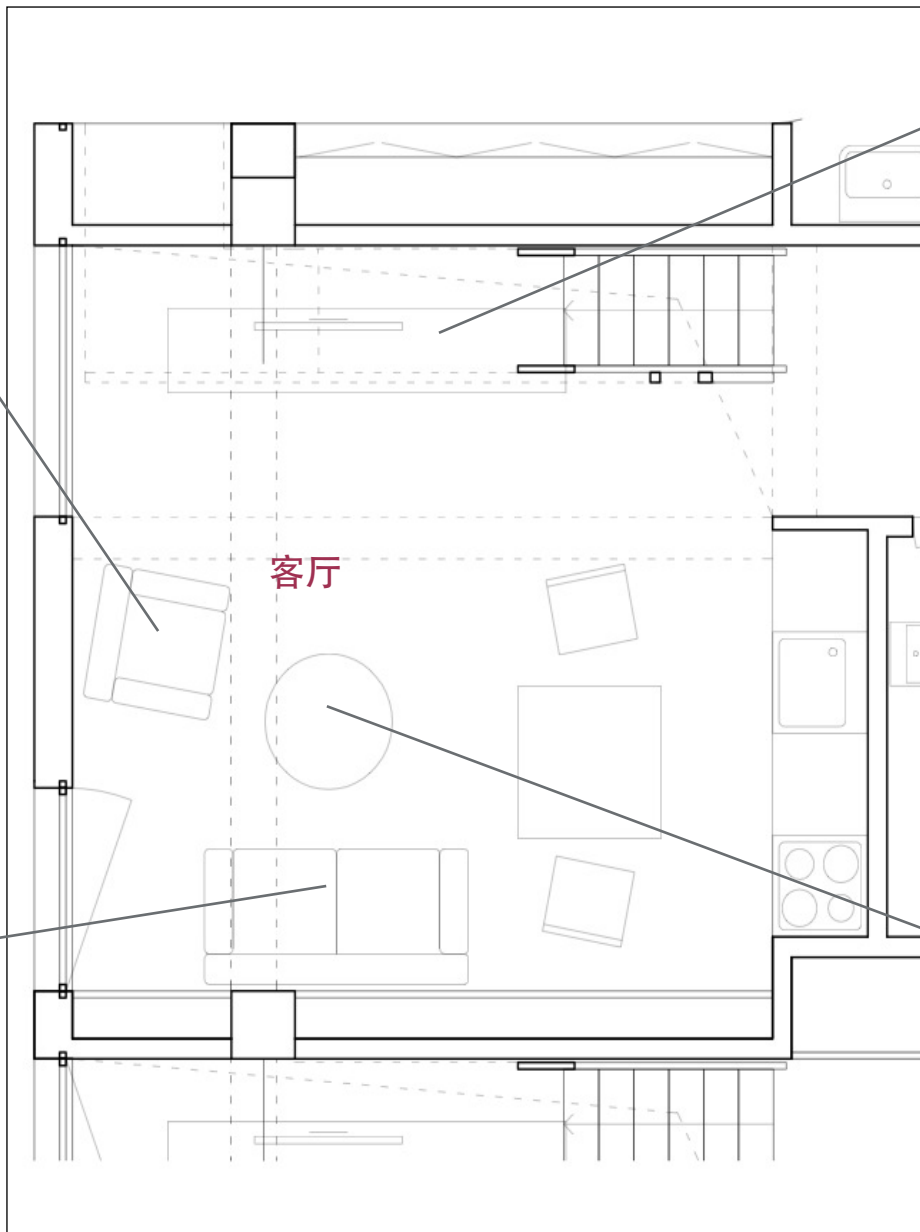


SOFA 双人沙发

solid elm
top-grain leather, woven fabric
PU resin, natural hardwax oil

榆木
头层牛皮, 梭织布
聚氨酯涂料(PU), 天然植物木蜡油

宽1700 深735 高690



MEDIA CABINET 电视柜

solid elm
PU resin, natural hardwax oil

榆木
聚氨酯涂料(PU), 天然植物木蜡油

宽2470 深570 高400



END TABLE 茶几

solid elm
PU resin, natural hardwax oil

榆木
聚氨酯涂料(PU), 天然植物木蜡油

长570 宽570 高400

客厅

Shiziwang Lu Furniture

2011.9.20

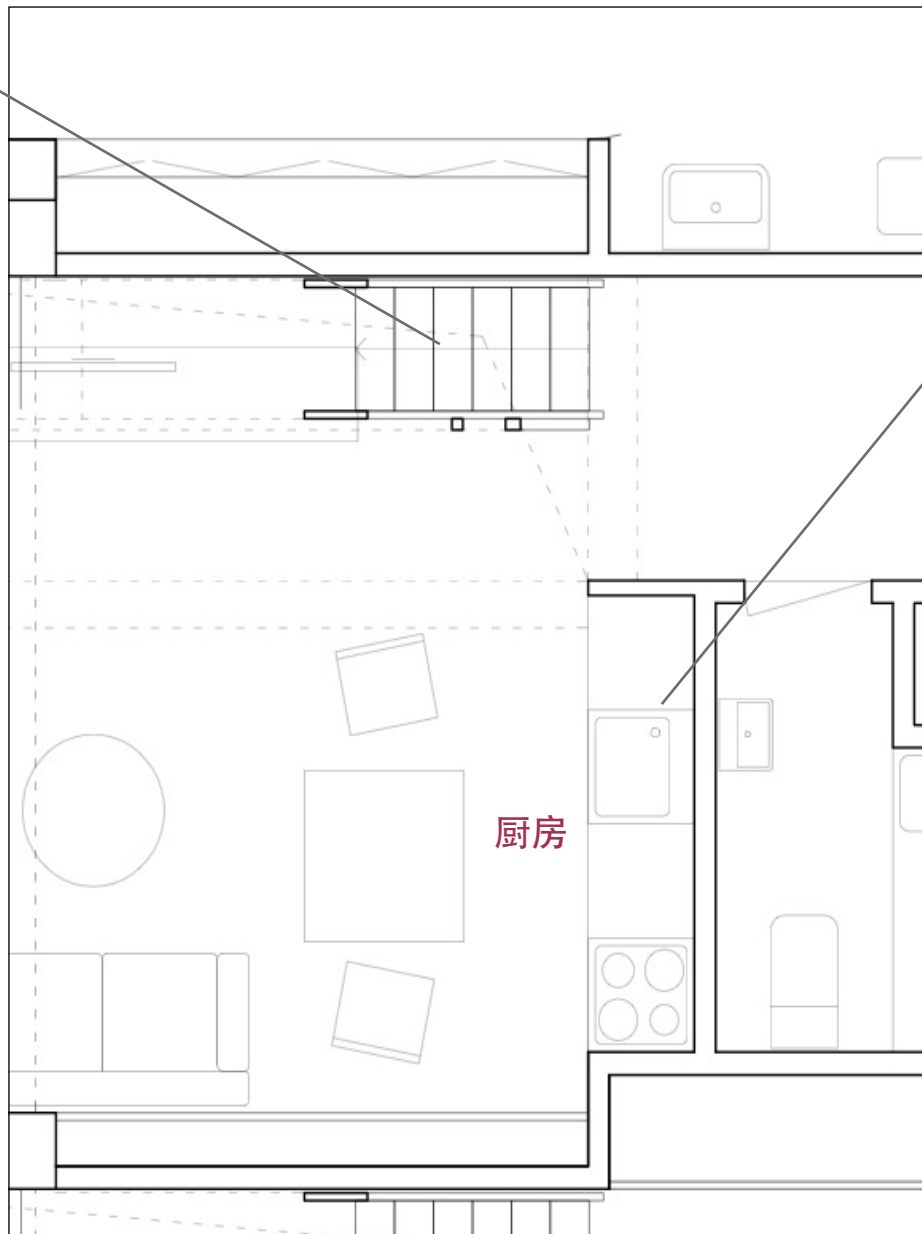


STAIRS 楼梯

solid elm
old door, PU resin, natural
hardwax oil

榆木
老门板, 聚氨酯涂料(PU), 天然植
物木蜡油

长2840 宽700 高4350



CUPBOARD 橱柜

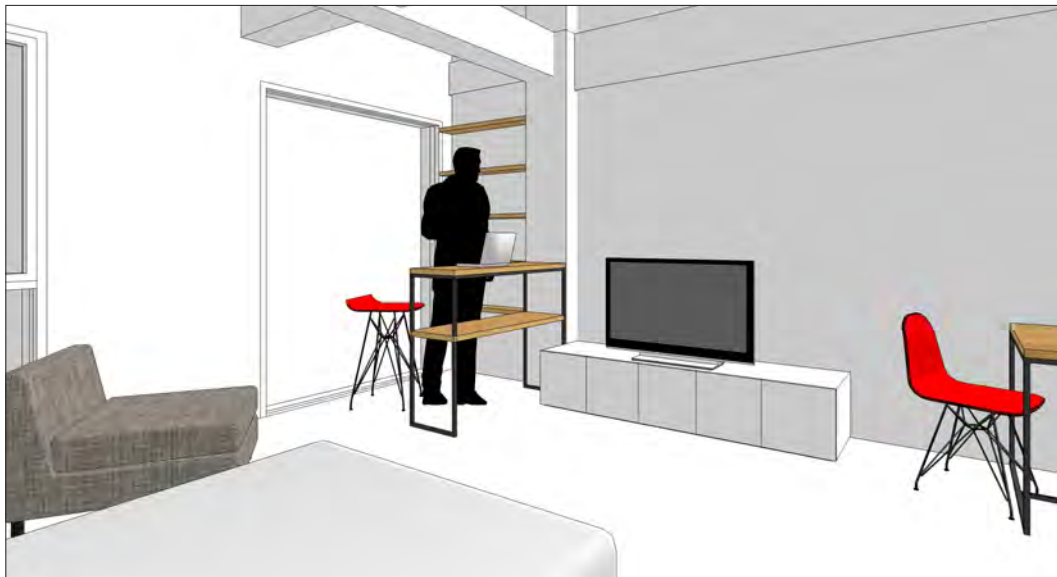
solid elm
old door, PU resin, natural
hardwax oil

榆木
老门板, 聚氨酯涂料(PU), 天然植
物木蜡油

长2350 宽450 高600
长2350 宽570 高840

厨房

Shiziwan Lu Furniture
2011.9.20



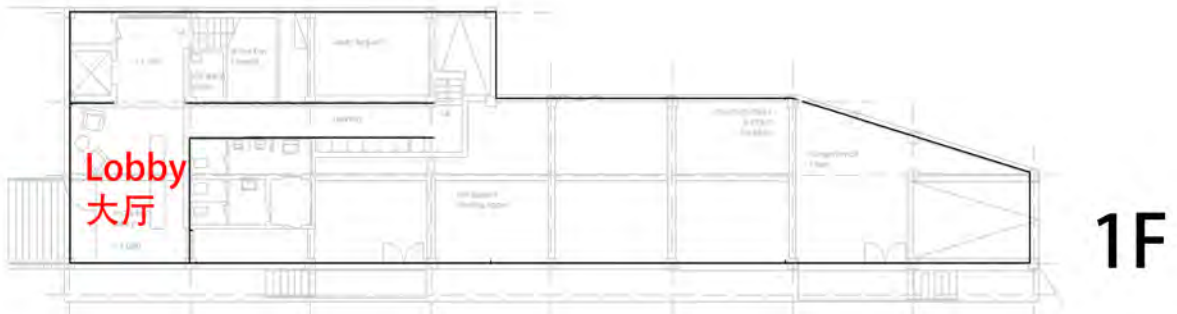
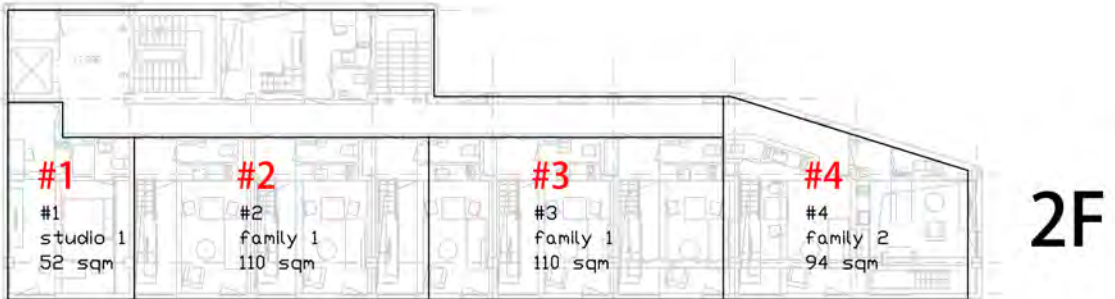
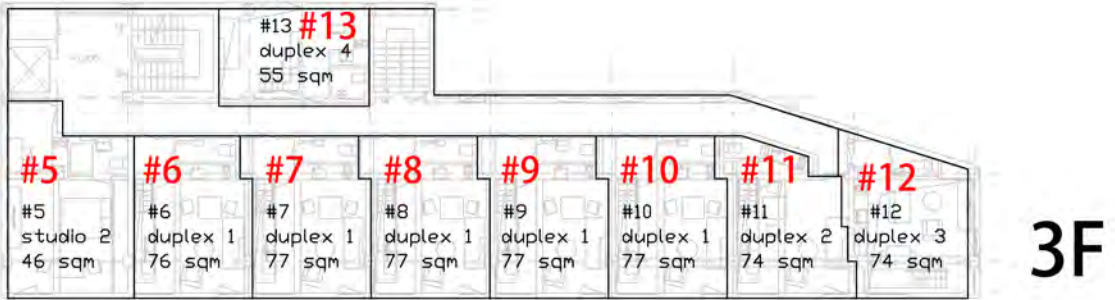
references



High Desk + Shelving- opt 3

BASE studio furniture

2012.5.10



Floor Plan平面图

BASE furniture delivery schedule
BASE家具送货明细表



2F

Furniture

Media Cabinet E (1)
Media Cabinet G (1)
Sofa C (1)
Coffee Table B (1)
Dining Table B (1)
Desk A (1)
Bed S (1)
Bed M (1)
Nightstand (3)

Floating Shelf C (2)
Vanity A (1)

家具

电视柜 E (1)
电视柜 G (1)
沙发 C (1)
咖啡桌 B (1)
餐桌 B (1)
办公桌 A (1)
小床 (1)
中床 (1)
床头柜 (3)

木板架子 C (2)
储藏柜 A (1)

202 (#2)

BASE furniture delivery schedule
BASE家具送货明细表



Sofa A
双人沙发 A



Sofa B
双人沙发 B



Sofa C
双人沙发 C

Furniture

BASE furniture delivery schedule
BASE家具送货明细表



Desk A
办公桌A



Desk B
办公桌B

Furniture

BASE furniture delivery schedule
BASE家具送货明细表



Stair A
楼梯A



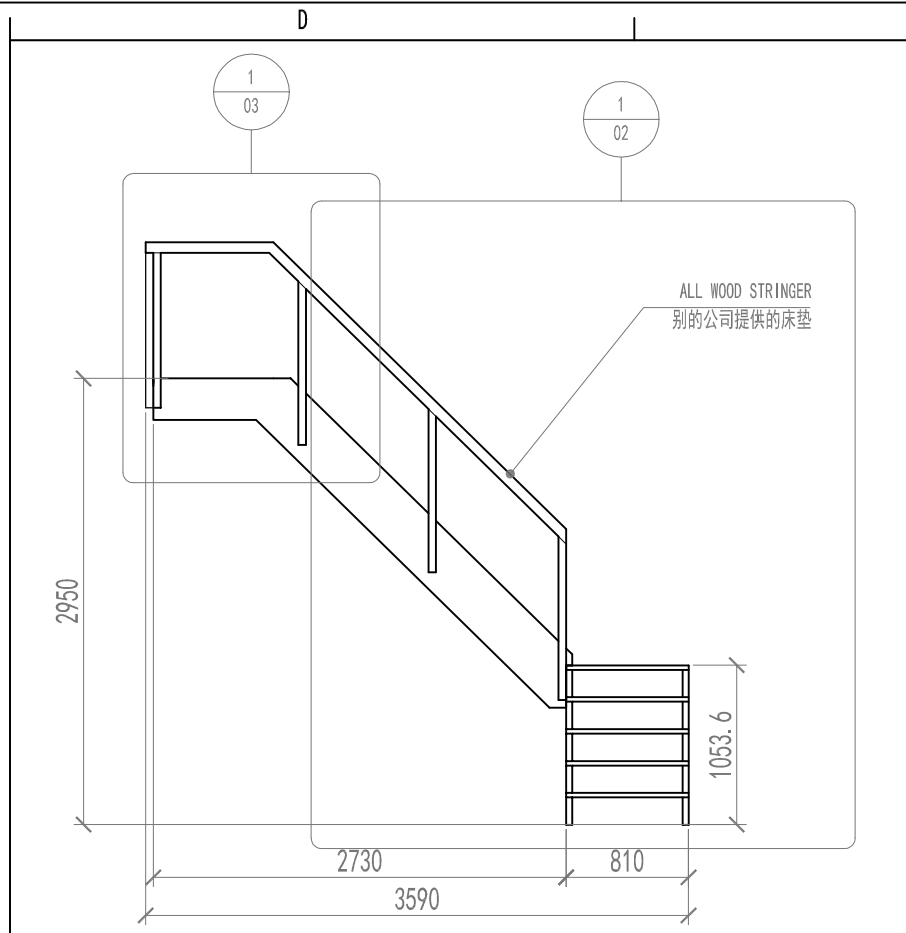
Stair B
楼梯B



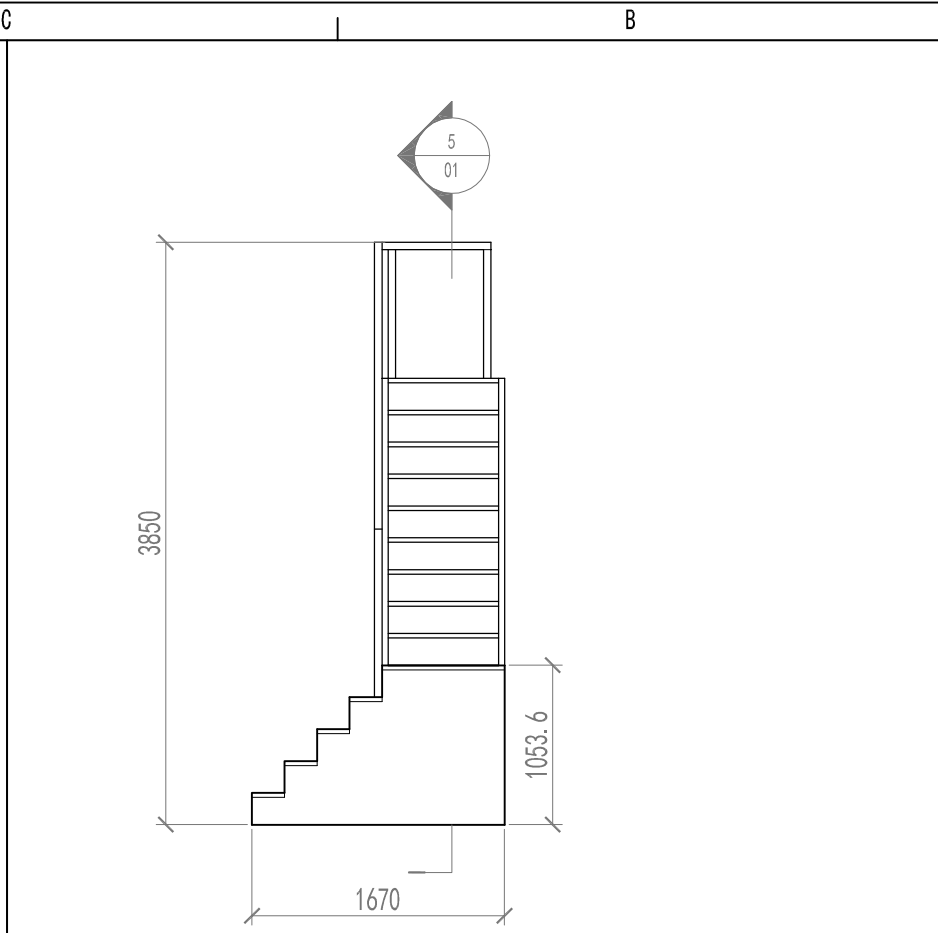
Stair C
楼梯C

Furniture

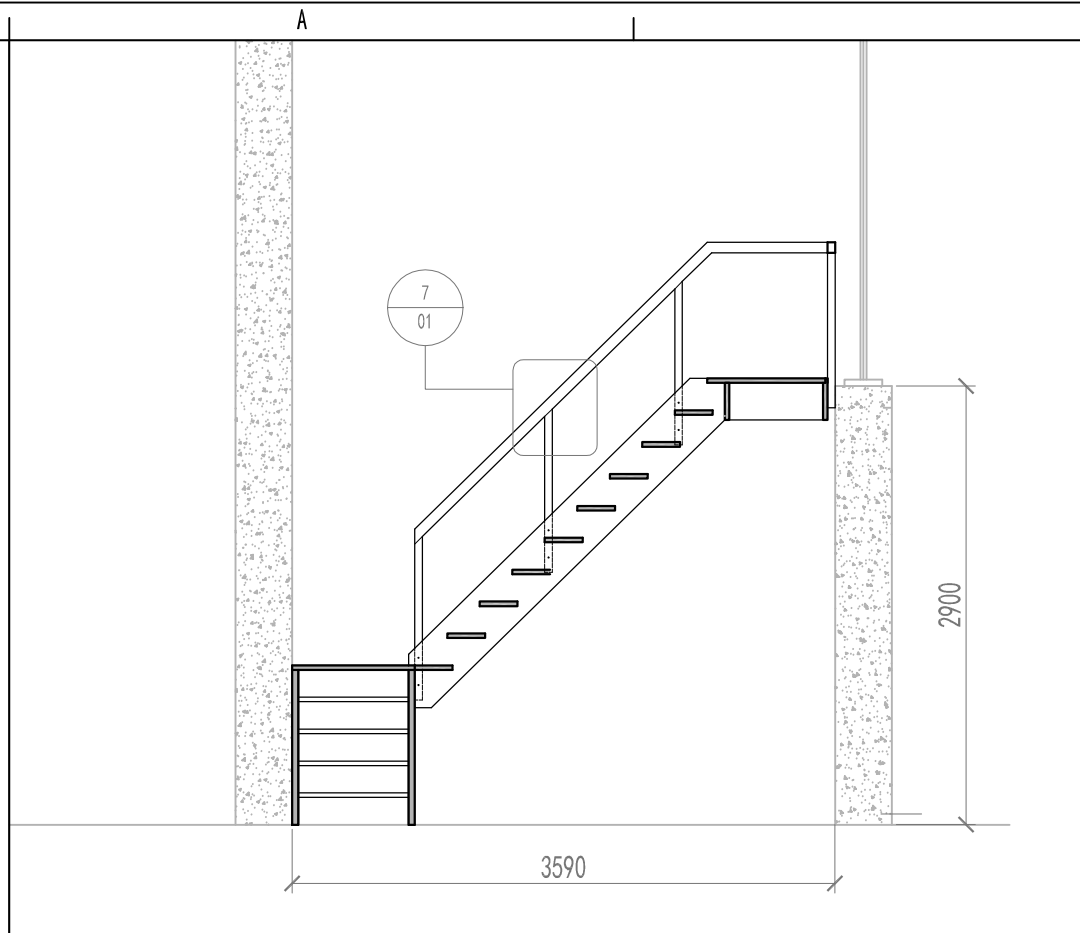
BASE furniture delivery schedule
BASE家具送货明细表



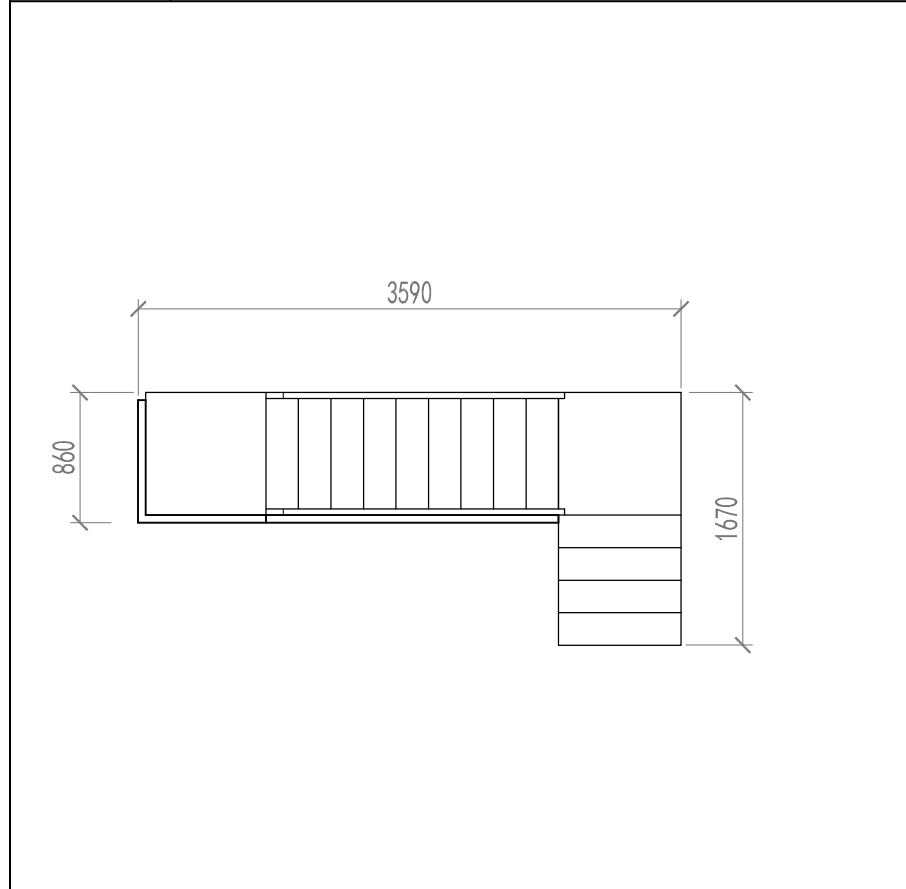
1 SCALE: 1:50 前立面图 FRONT ELEVATION



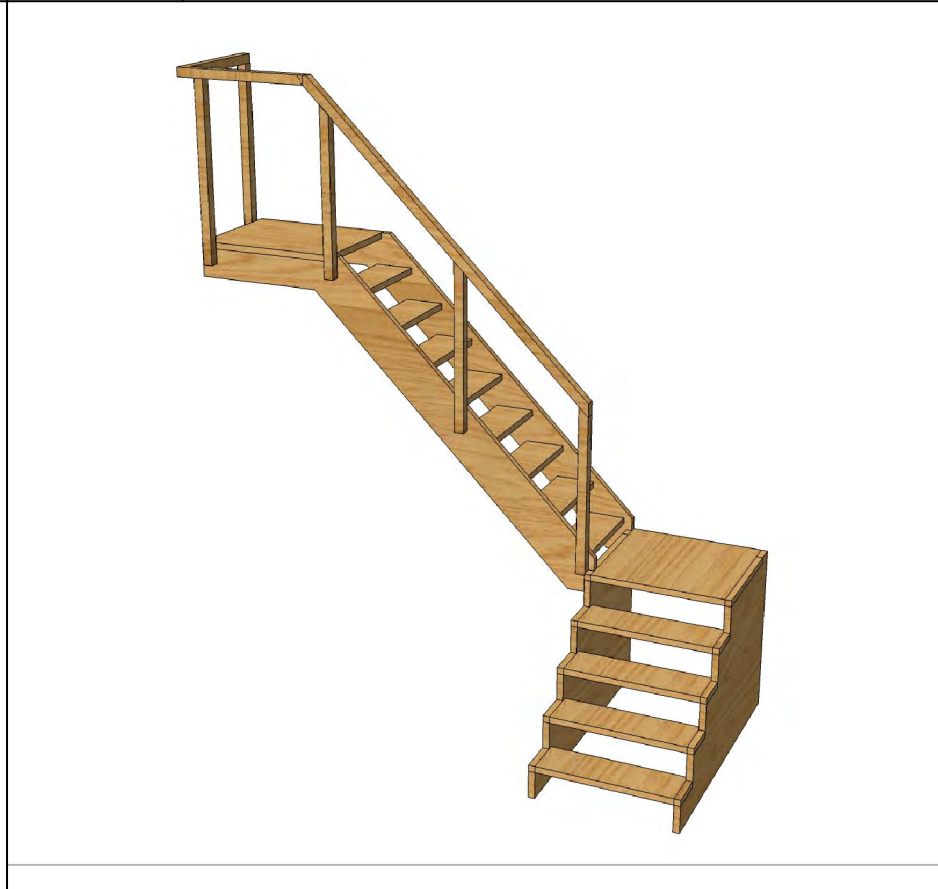
3 SCALE: 1:50 侧立 SIDE ELEVATION



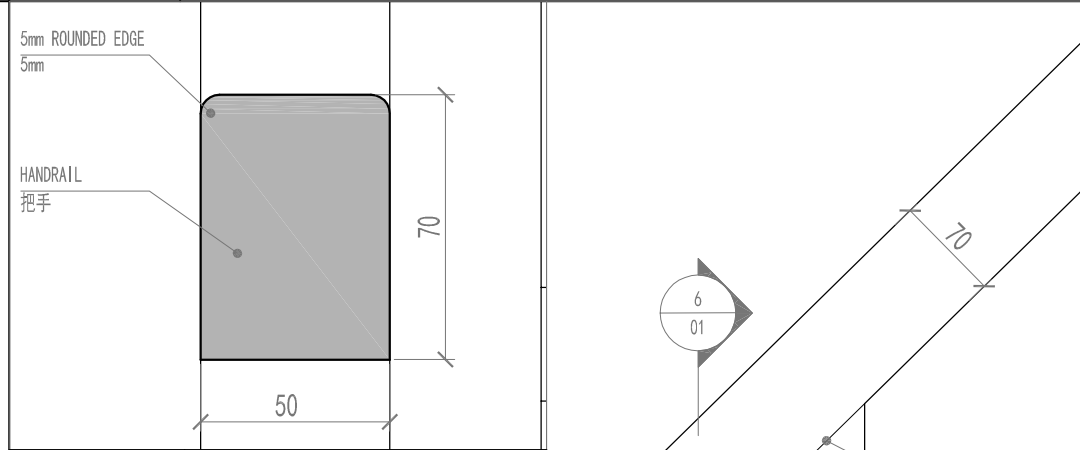
5 SCALE: 1:50 侧立面 SECTION ELEVATION



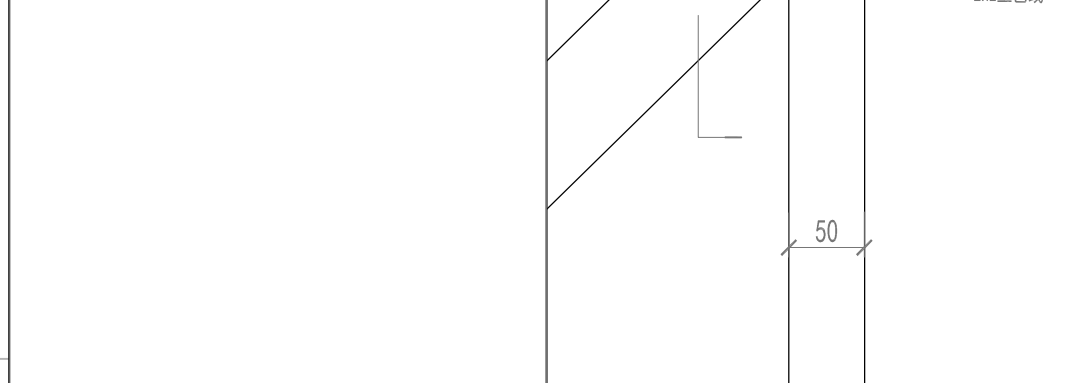
2 SCALE: 1:16 平面图 PLAN



4 SCALE: N/A 效果图 RENDERING



6 SCALE: 1:2 细节 DETAIL



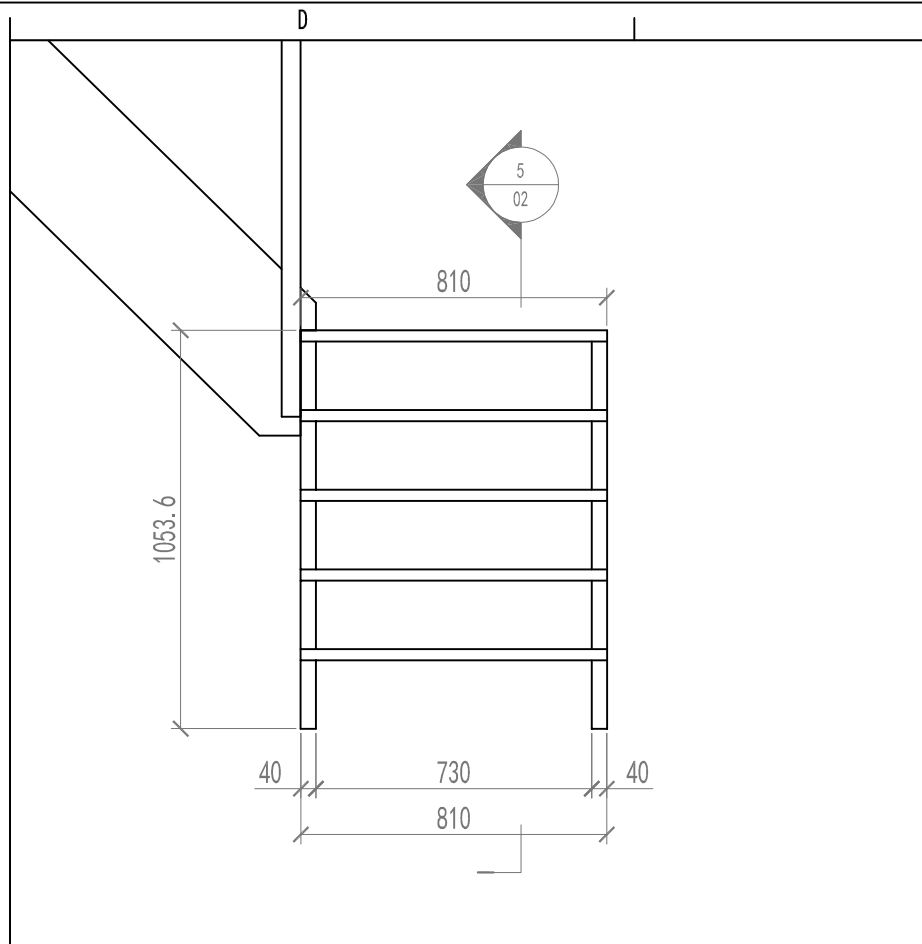
7 SCALE: 1:5 细节 DETAIL

这些平面图、方案和规格是ASIG DESIGN (杰瑞设计工作室) 的专属设计并拥有版权。任何未经ASIG DESIGN (杰瑞设计工作室) 事先书面同意的复制、修改、传播和使用都是严格禁止的。或者以任何形式复制或传播，以及使用其中任何部分的行为都是严格禁止的。请确保所有规格和尺寸符合ASIG DESIGN (杰瑞设计工作室) 的要求。所有“EX” (图例) 的尺寸应在施工过程中，全部“B/C” (有特确认) 的尺寸应在施工过程中，中严格按照现场的实际尺寸施工。
 THESE PLANS AND SPECIFICATIONS ARE THE EXCLUSIVE PROPERTY OF ASIG DESIGN. ANY REPRODUCTION, MODIFICATION, DISCLOSURE AND/OR USE OF THESE MATERIALS OR ANY PORTION OF THEM WITHOUT PRIOR WRITTEN CONSENT FROM ASIG DESIGN IS STRICTLY PROHIBITED. FIGURED DIMENSIONS SHOULD BE CHECKED BY THE CONTRACTORS, AND ANY DISCREPANCIES SHOULD BE REFERRED TO THE DRAWING. ALL "EX" DIMENSIONS ARE TO BE CONFIRMED BY THE CONTRACTOR. ALL "B/C" DIMENSIONS ARE TO MATCH EXISTING.

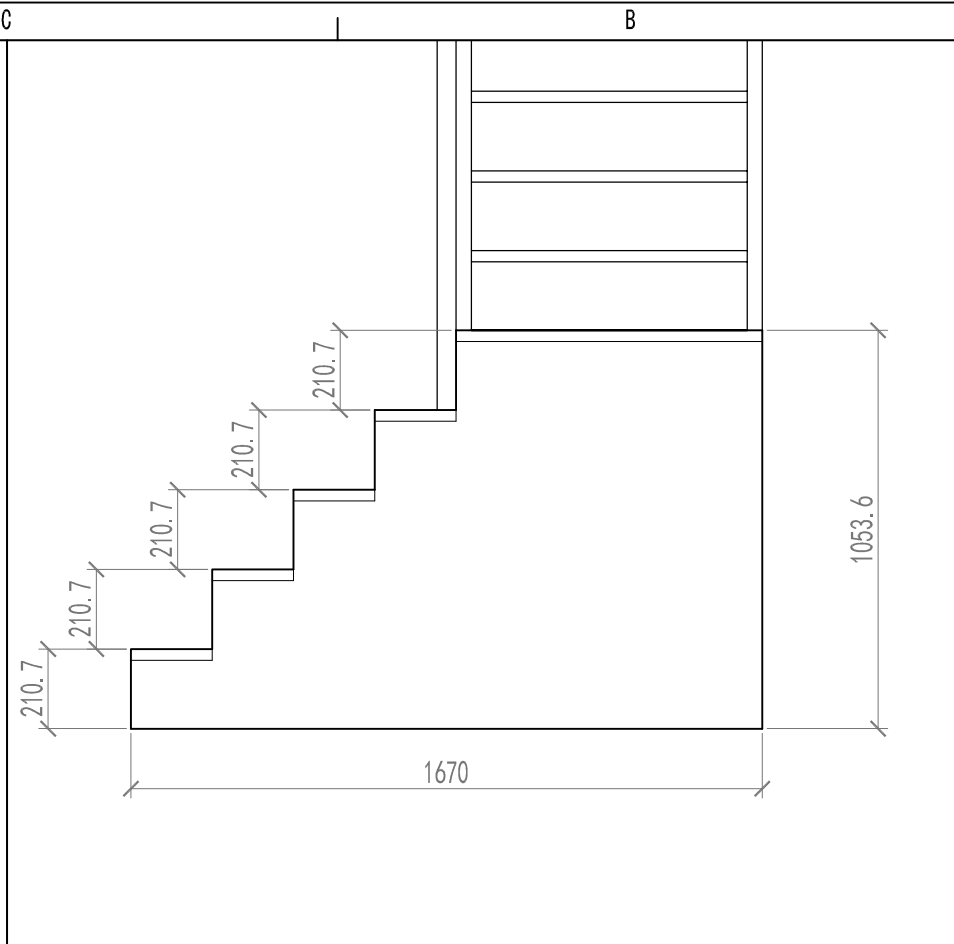
302
数量: 1

调整日期 REV. DATE	日期 DATE
	最终 2012. 6. 21
	书页号码 PAGE NO.
	01
	家具号码 FURNITURE NO.
	111116. 1

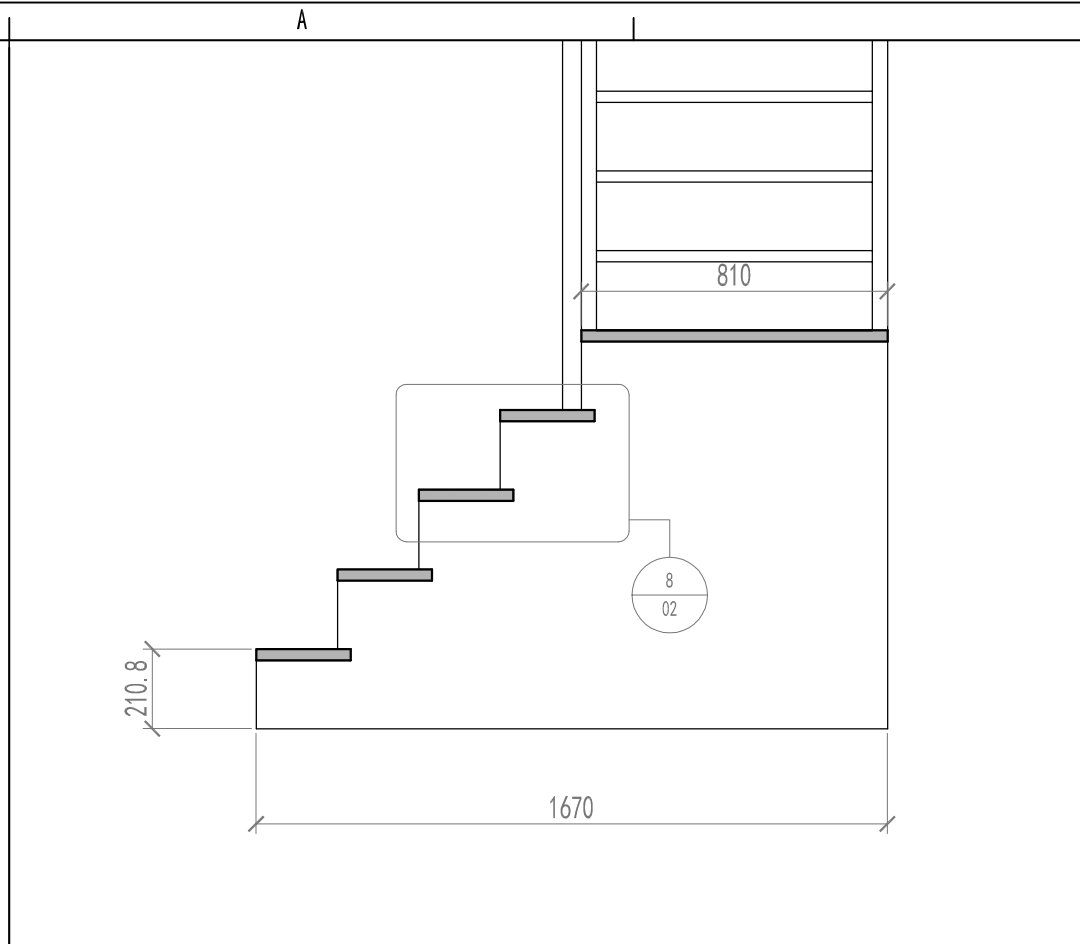
家具名称 FURNITURE NAME	BASE STAIR C BASE楼梯C
------------------------	-------------------------



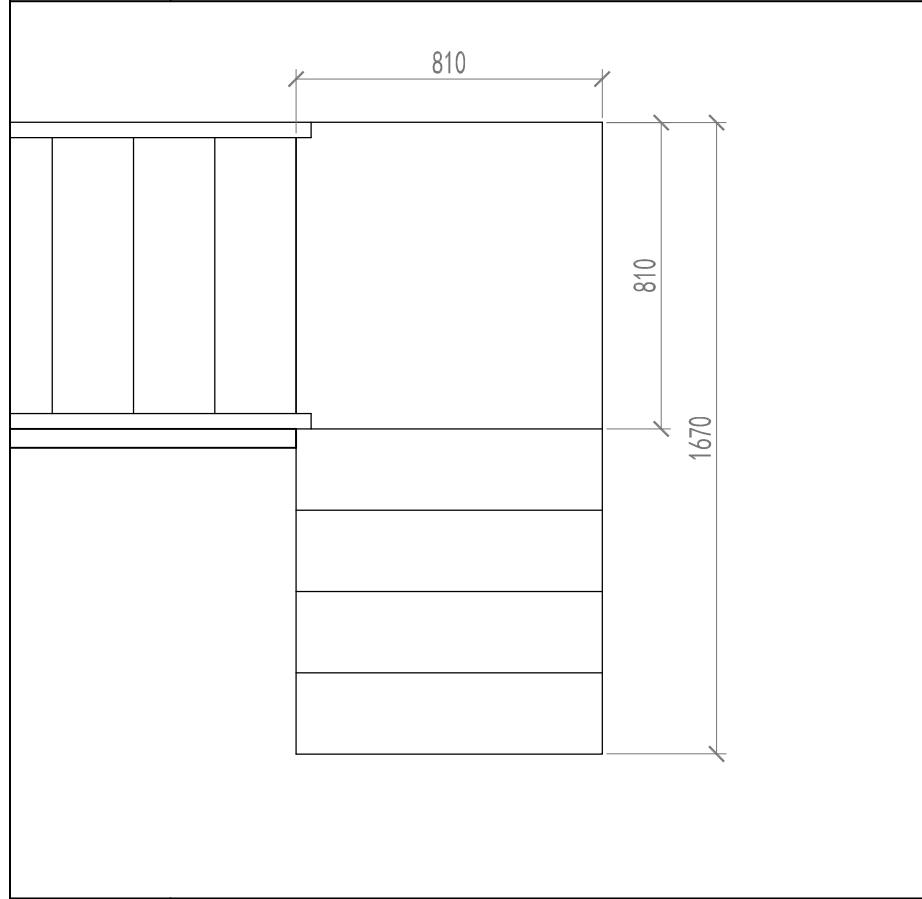
1 SCALE: 1:20 前立面图 FRONT ELEVATION



3 SCALE: 1:50 侧立 SIDE ELEVATION



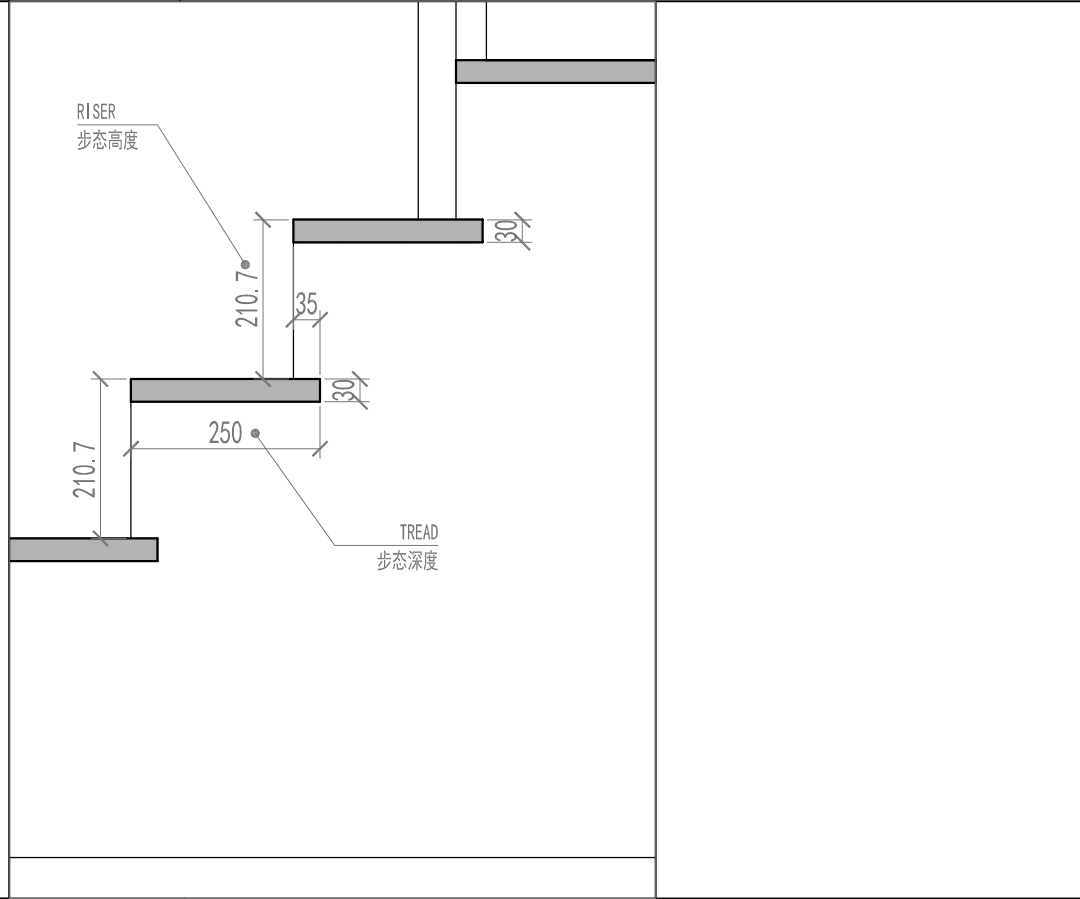
5 SCALE: 1:50 侧立面 SECTION ELEVATION



2 SCALE: 1:16 平面图 PLAN



4 SCALE: N/A 效果图 RENDERING



8 SCALE: 1:8 细节 DETAIL

这些平面图、方案和规格是ASIG DESIGN (杰瑞设计工作室) 的专有设计并受版权保护。任何未经ASIG DESIGN (杰瑞设计工作室) 事先书面同意的复制、修改、传播和使用这些图纸、或者以任何形式使用这些材料, 以及使用其中任何部分的行为都是被严格禁止的。请确保所有规格和尺寸符合设计要求和标准。如果存在任何差异, 请参照设计图进行施工。全部“B/C” (有特快) 的尺寸应在该标准图例中检查确认。所有的“EX” (图例) 的尺寸应在施工过程中严格按照现场的实际尺寸施工。
 THESE PLANS AND SPECIFICATIONS ARE THE EXCLUSIVE PROPERTY OF ASIG DESIGN. ANY REPRODUCTION, MODIFICATION, DISCLOSURE AND/OR USE OF THESE MATERIALS OR ANY PORTION OF THEM WITHOUT PRIOR WRITTEN CONSENT FROM ASIG DESIGN IS STRICTLY PROHIBITED. FIGURED DIMENSIONS SHOULD BE CHECKED BY THE CONTRACTORS, AND ANY DISCREPANCIES SHOULD BE REFERRED TO THE DRAWING. ALL "B/C" DIMENSIONS ARE TO BE CONFIRMED BY THE CONTRACTOR. ALL "EX" DIMENSIONS ARE TO MATCH EXISTING.

302
数量: 1

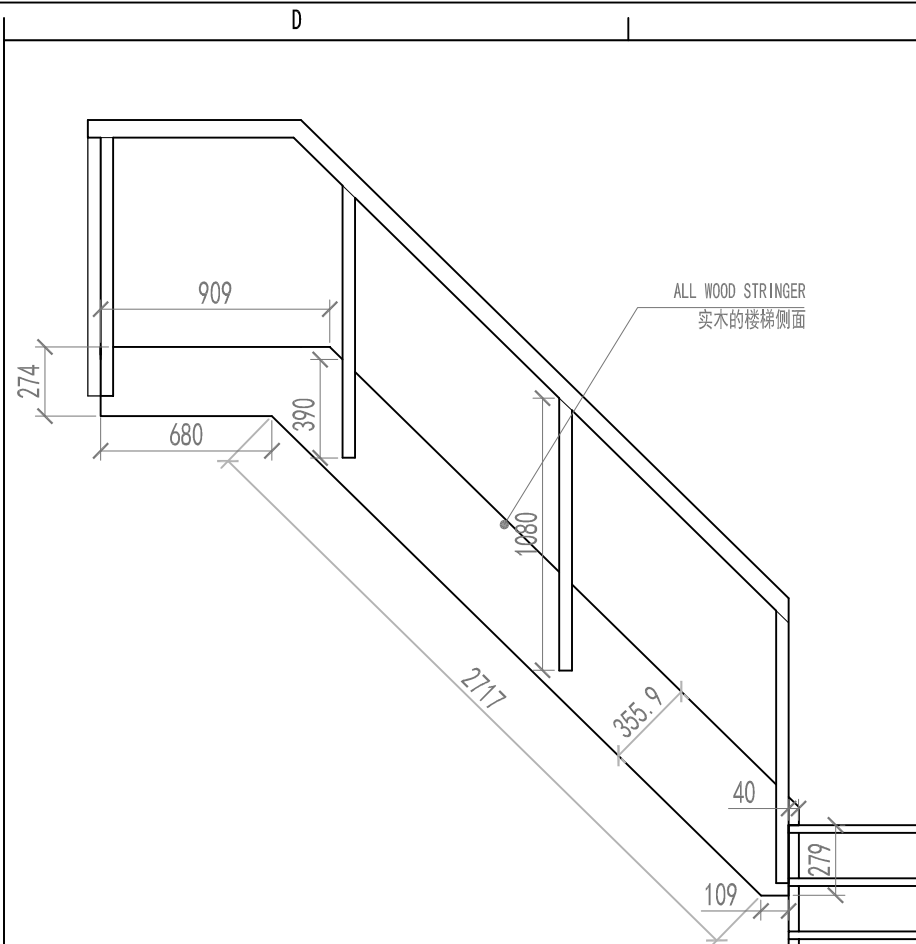
调整日期
REV. DATE

日期
DATE
最终 2012. 6. 21

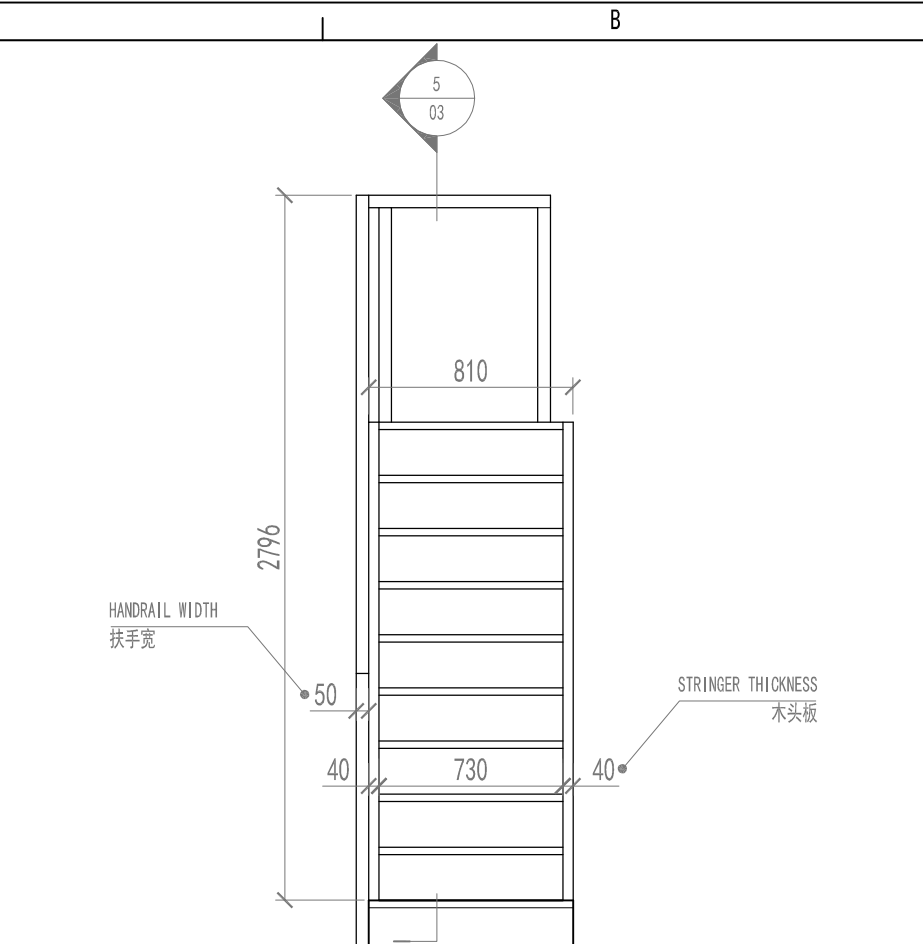
书页号码
PAGE NO.
02

家具号码
FURNITURE NO.
111116. 1

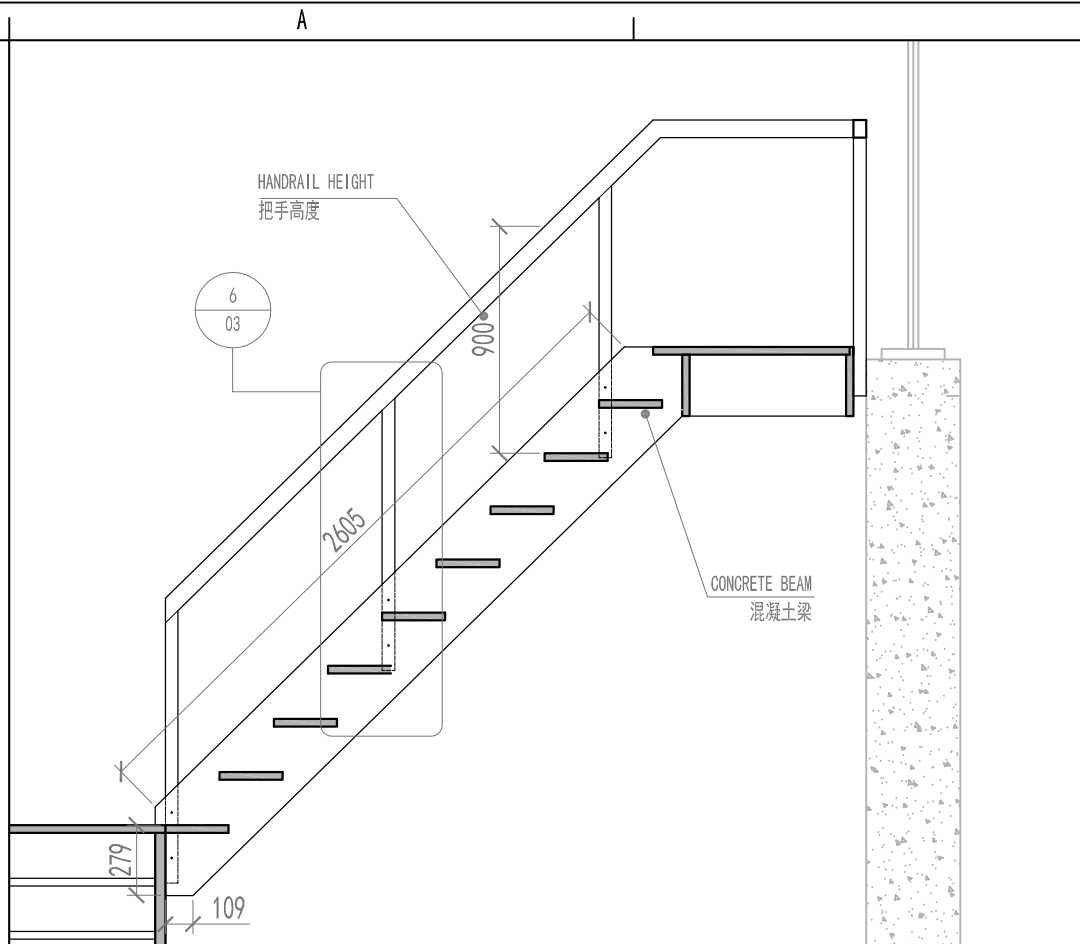
家具名称 FURNITURE NAME
BASE STAIR C
BASE楼梯C



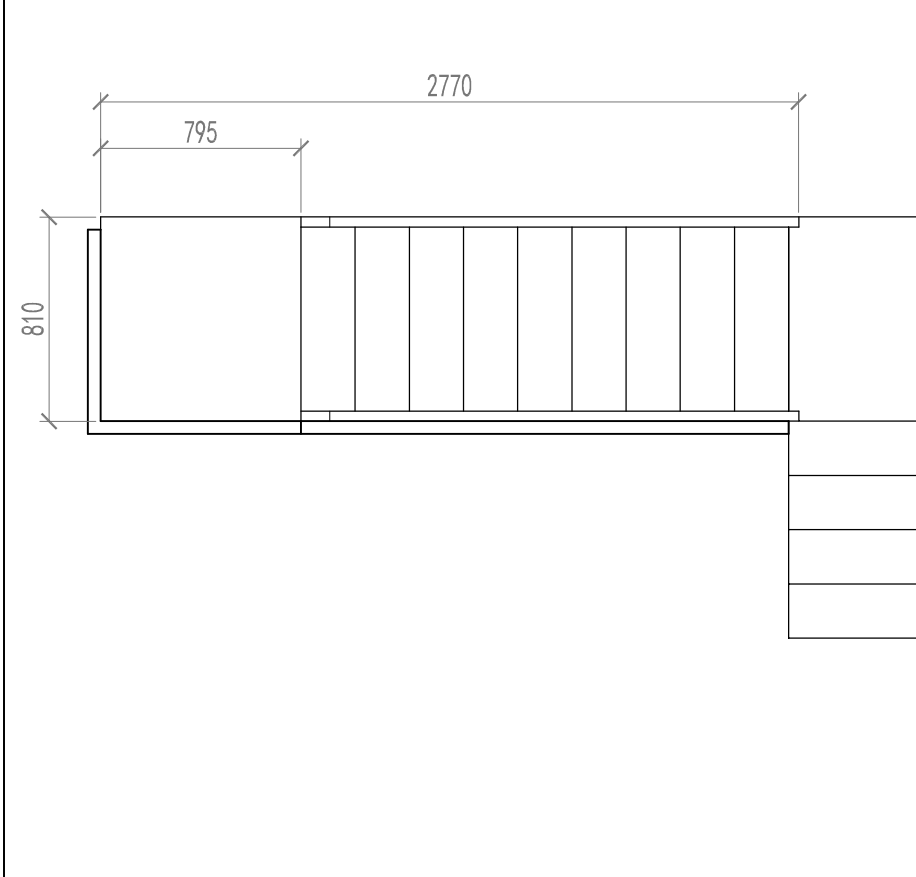
1 SCALE: 1:30 前立面图 FRONT ELEVATION



3 SCALE: 1:30 侧立 SIDE ELEVATION



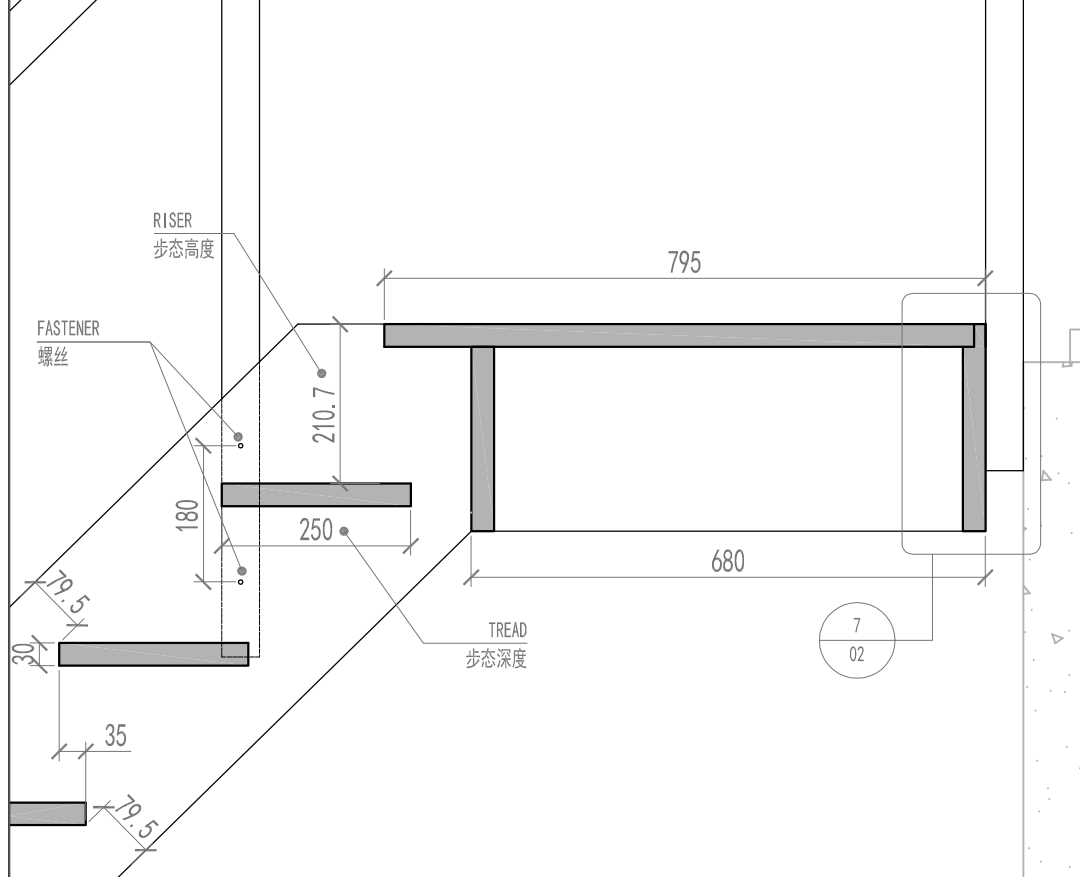
5 SCALE: 1:30 侧立面 SECTION ELEVATION



2 SCALE: 1:30 平面图 PLAN



4 SCALE: N/A 效果图 RENDERING



6 SCALE: 1:10 细节 DETAIL

这些平面图、方案和规格是ASIG DESIGN (杰瑞设计工作室) 的专属设计并拥有专权。任何未经ASIG DESIGN (杰瑞设计工作室) 事先书面同意的复制、修改、传播和使用这些图纸、或者以任何形式复制或传播，以及使用其中任何部分的行为都是被严格禁止的。请速向ASIG DESIGN (杰瑞设计工作室) 索取所有尺寸和规格。如果存在任何差异，应以ASIG DESIGN (杰瑞设计工作室) 的书面文件为准。所有标注“EX” (复核实际) 的尺寸应在施工过程中严格按照现场的实际尺寸施工。
 THESE PLANS AND SPECIFICATIONS ARE THE EXCLUSIVE PROPERTY OF ASIG DESIGN. ANY REPRODUCTION, MODIFICATION, DISCLOSURE AND/OR USE OF THESE MATERIALS OR ANY PORTION OF THEM WITHOUT PRIOR WRITTEN CONSENT FROM ASIG DESIGN IS STRICTLY PROHIBITED. FIGURED DIMENSIONS SHOULD BE CHECKED BY THE CONTRACTORS, AND ANY DISCREPANCIES SHOULD BE REFERRED TO THE DRAWING. ALL "EX" DIMENSIONS ARE TO BE CONFIRMED BY THE CONTRACTOR. ALL "EX" DIMENSIONS ARE TO MATCH EXISTING.

302
数量: 1

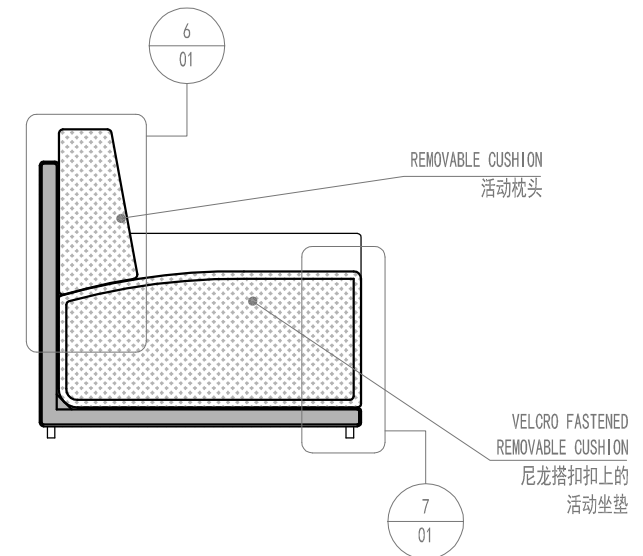
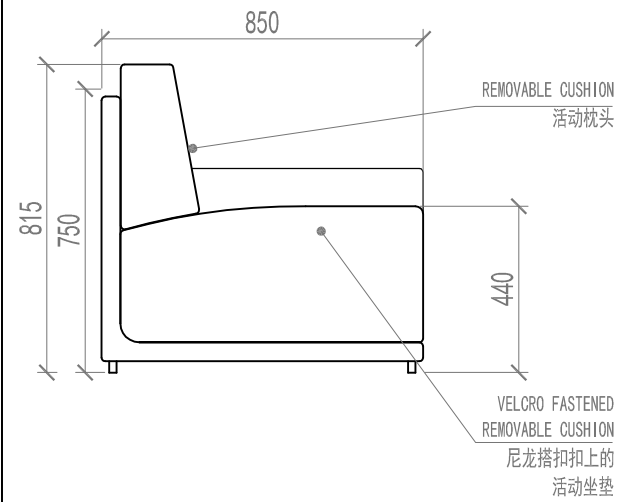
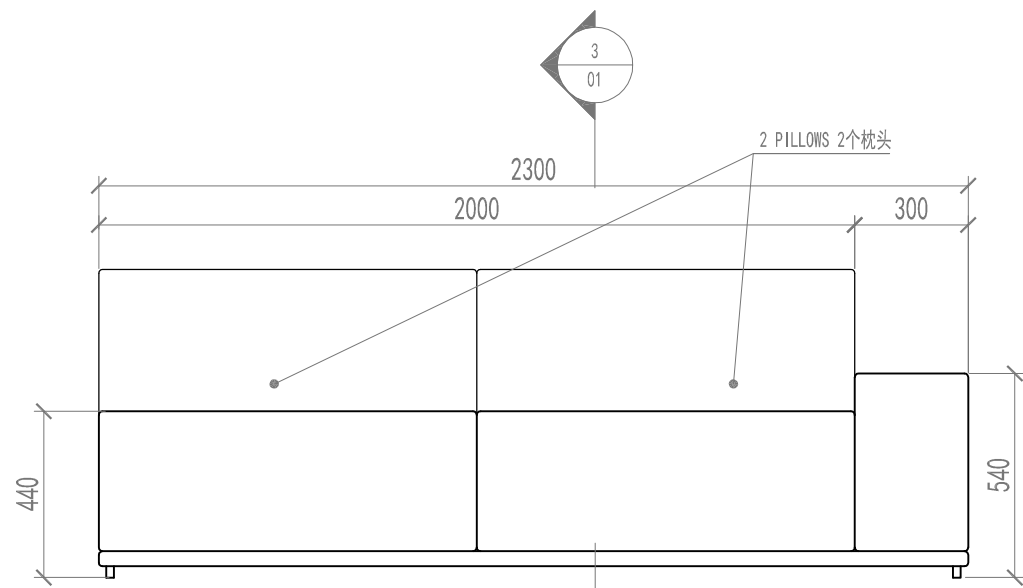
调整日期
REV. DATE

日期
DATE
最终 2012. 6. 21

书页号码
PAGE NO.
03

家具号码
FURNITURE NO.
111116. 1

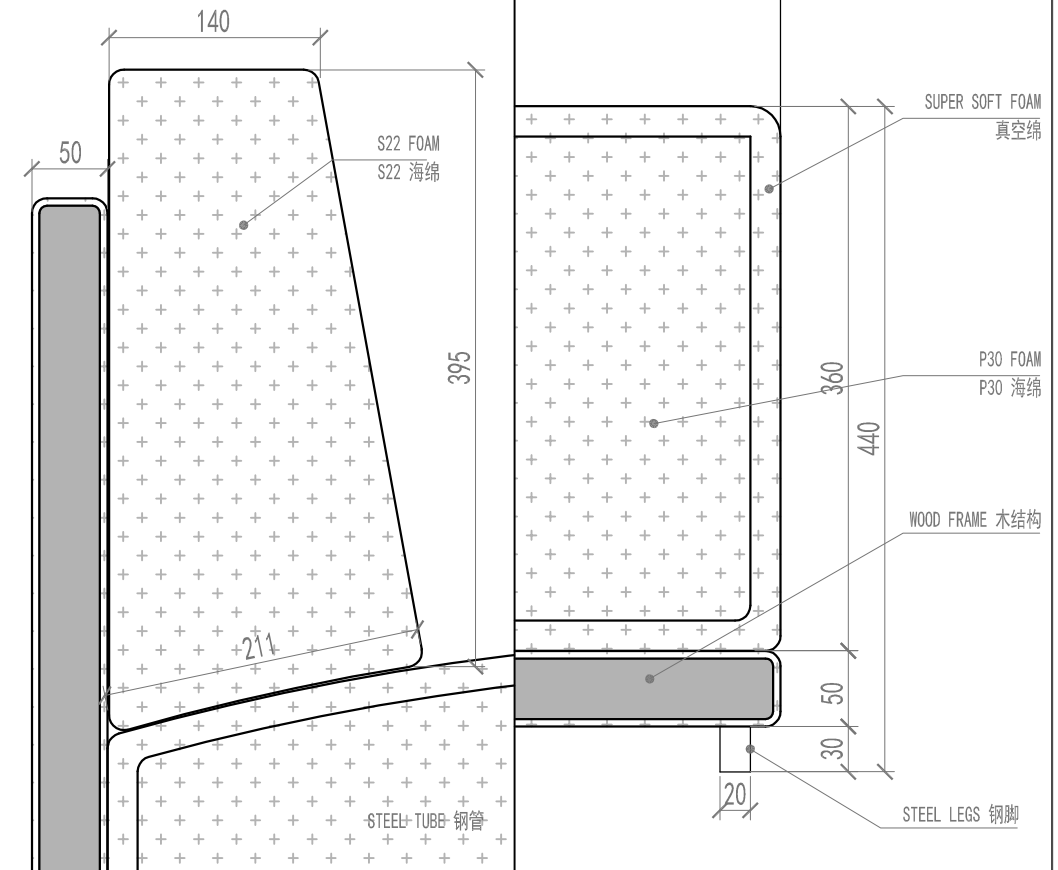
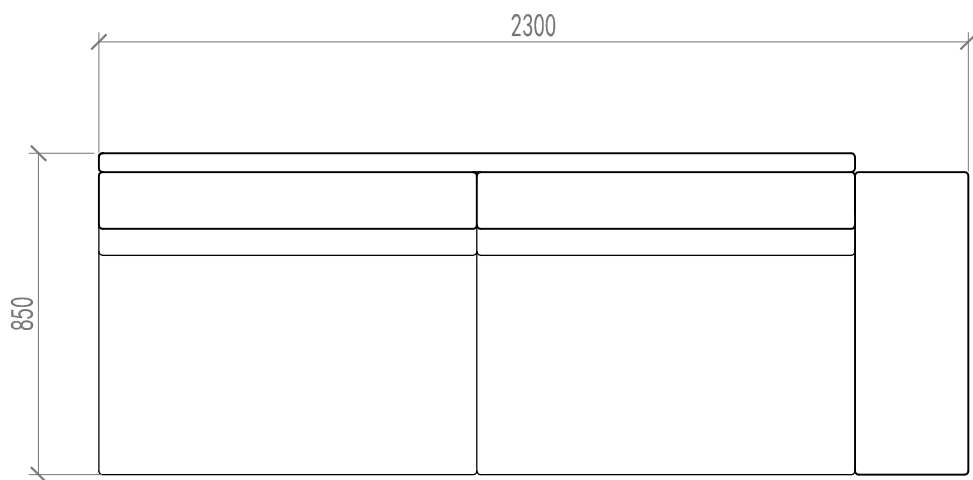
家具名称 FURNITURE NAME
BASE STAIR C
BASE楼梯C



1 SCALE: 1:20 前立面图 FRONT ELEVATION

3 SCALE: 1:20 侧立 SIDE ELEVATION

5 SCALE: 1:20 侧立面 SECTION ELEVATION



2 SCALE: 1:20 平面图 PLAN

4 SCALE: N/A 效果图 RENDERING

6 SCALE: 1:2 细节 DETAIL

7 SCALE: 1:2 细节 DETAIL



这些平面图、方案和规格是ASIG DESIGN (杰瑞设计工作室) 的专有设计并受版权保护。任何未经ASIG DESIGN (杰瑞设计工作室) 事先书面同意的复制、修改、传播和使用这些图纸、或者以任何形式使用这些材料, 以及使用其中任何部分的行为都是被严格禁止的。请速向ASIG DESIGN 索取所有尺寸和规格, 如果存在任何差异应该参照设计图进行施工。全部“B/C” (有特确认) 的尺寸都应该按照原图进行施工。所有“EX” (量数实际) 的尺寸应该在施工过程中严格按照原图进行施工。
 THESE PLANS AND SPECIFICATIONS ARE THE EXCLUSIVE PROPERTY OF ASIG DESIGN. ANY REPRODUCTION, MODIFICATION, DISCLOSURE AND/OR USE OF THESE MATERIALS OR ANY PORTION OF THEM WITHOUT PRIOR WRITTEN CONSENT FROM ASIG DESIGN IS STRICTLY PROHIBITED. FIGURED DIMENSIONS SHOULD BE CHECKED BY THE CONTRACTORS, AND ANY DISCREPANCIES SHOULD BE REFERRED TO THE DRAWINGS. ALL "B/C" DIMENSIONS ARE TO BE CONFIRMED BY THE CONTRACTOR. ALL "EX" DIMENSIONS ARE TO MATCH EXISTING.

调整日期
REV. DATE

日期
DATE
最终 2012. 6. 21
 书页号码
PAGE NO.
01
 家具号码
FURNITURE NO.
111116. 1

家具名称
FURNITURE NAME

BASE SOFA A
BASE沙发A









→ reception 112
↑ office 212
↑ meeting 212
↑ stairs 202







